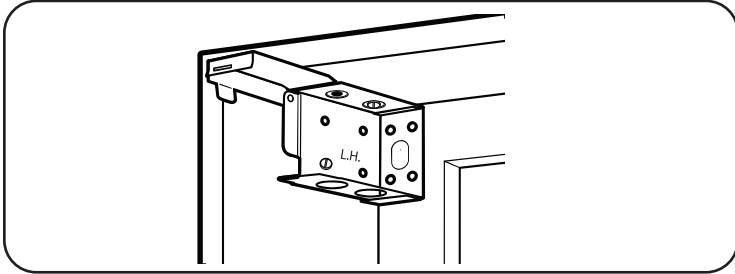


Mounting with Box Brackets (1" & 2")

Right-hand and left-hand Box mounting brackets are packed with each blind.
The brackets are stamped R or RH and L or LH on the inside of each bracket for easy identification.

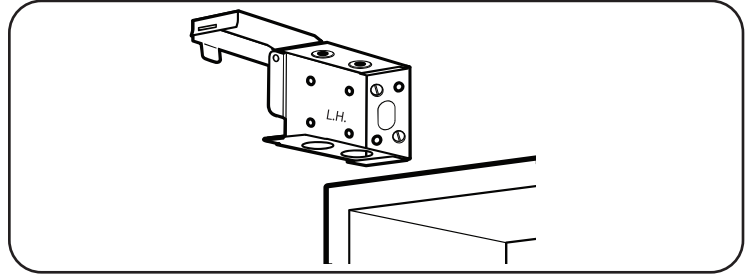
1. Install the Brackets

Inside Mount



With mounting brackets level and flush with the window frame, screw through holes on the inside of bracket into window frame. Screw location may differ between 1" and 2" box brackets.

Outside / Ceiling Mount



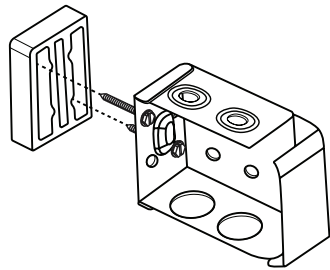
With blind open, hold up to wall/ceiling in the position you want it to hang. Make sure the blind is centered and level. Mark wall 1/4" past each end of headrail. Remove blind and place mounting brackets level on pencil marks. Secure with screws. Wall anchors may be required for secure attachment (not included).

2. Insert the Headrail

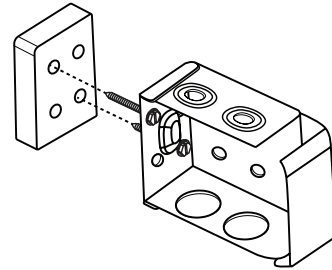
Open bracket door latches by pushing up on bottom of bracket while swinging the bracket door to the open position.
Slide headrail into mounting brackets. Close bracket door latches.

Spacer Blocks (Optional)

1" Spacer Block



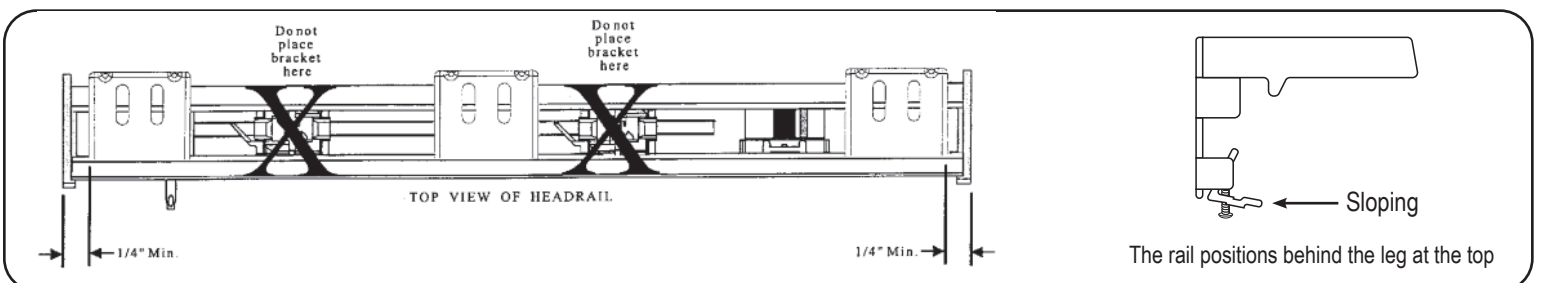
2" Spacer Block



Spacer blocks can be used to add clearance. Attach the spacers to the installation brackets using the 2 screws provided with each spacer.

Mounting with Hidden Brackets (1")

1. Install the Brackets

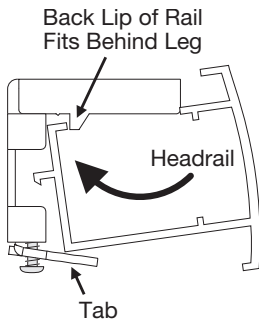


Mount brackets no more than 60 inches apart. Brackets mounted toward the end of the blind should be positioned no less than 1/4" from the ends of the blind to allow room for the end cap when the blind is mounted. Do not position brackets directly over the top of string ladders. Tab slopes downward giving a lead-in for the insertion of the headrail from the front.

INSTALLATION INSTRUCTIONS

Mounting with Hidden Brackets (1")

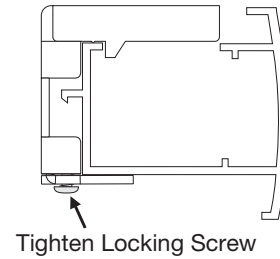
2. Insert the Headrail



The rail positions behind the leg at the top. Make sure the rear lip of the headrail is caught behind the rear leg of the bracket.

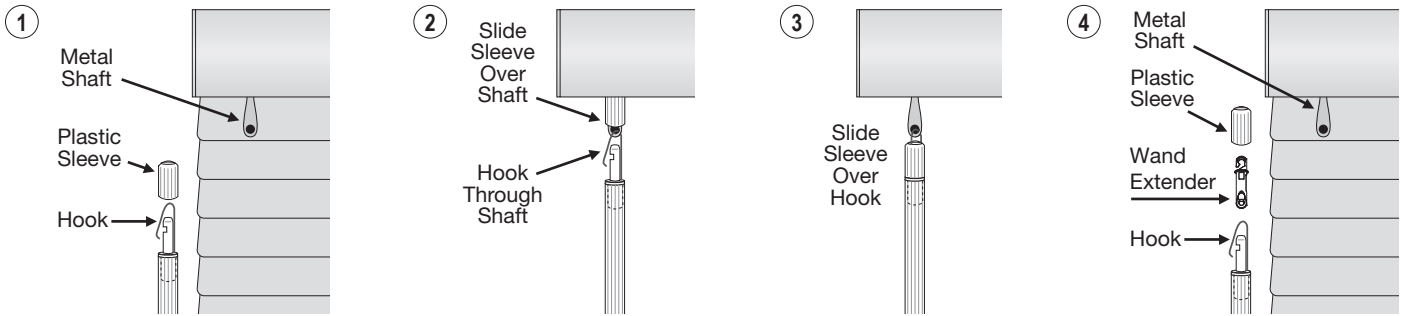
Note: If more than two brackets are required, insert the headrail in the center brackets first. If necessary, tighten the screws on the center bracket to hold the headrail in position allowing insertion into the other brackets. Tighten screws in bottom of bracket.

3. Secure the Blind



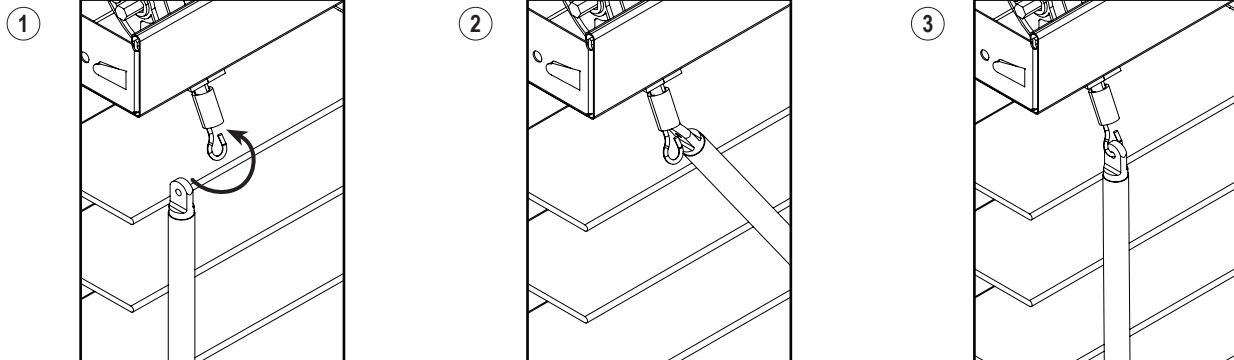
Tighten the screw in the bottom of the bracket to secure the blinds.

Assemble the Wand - 1" Blinds



(1) The provided wand has a metal hook on the end, covered by a plastic sleeve. Remove the sleeve by pulling upward, exposing the hook in the open position. (2) Take the plastic sleeve that was removed and slide it over the metal shaft that is protruding from the headrail. Holding the sleeve above the tilter shaft hole, insert the wand hook through the shaft hole until it rests in the bend of the hook. (3) Slide the plastic sleeve back down to cover the hook until it is back in the closed position. (4) For extra clearance when rotating the wand, a wand extender is included.

Assemble the Wand - 2" Blinds



INSTALLATION INSTRUCTIONS

Install the Valance

1. Attach Valance Clips

Double 1" Slat Channel Valance (1" Blinds)

Attach valance clips 2" from each end of the headrail. Space additional clip(s) evenly between the two end clips so that the valance clips are no more than 36" apart.

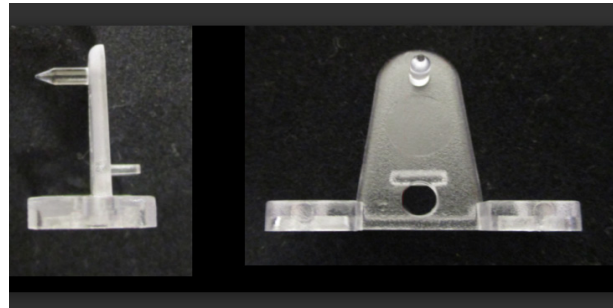
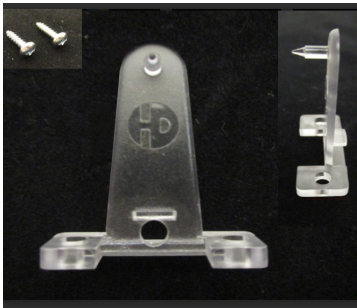
Note: Do not place the valance clips where they could interfere with any working parts.

Single 2" Slat Channel Valance (2" Blinds)

The slats for the valance will come pre-inserted in the channel valance. Attach the clips to the headrail. Attach the channel valance to the clips.

Note: If the valance was ordered with returns, bend the channel valance at the score on the back prior to attaching to the clips.

2. Attach Hold-Down Brackets (Optional)



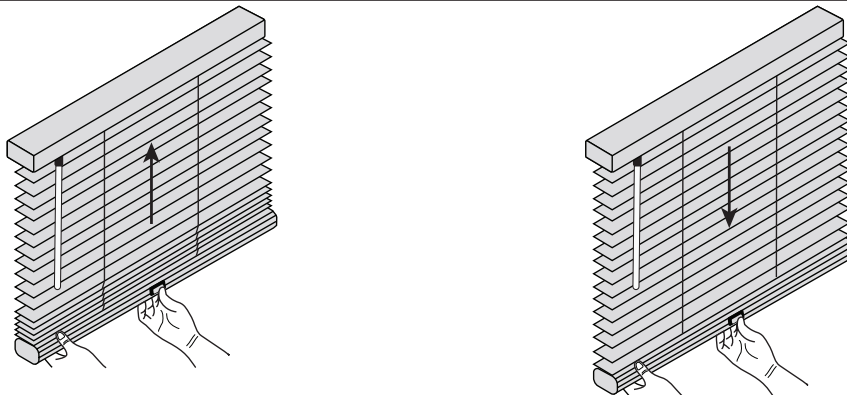
Insert a hold-down pin into each of the bottom rail end caps. Attach the hold-down brackets to the jamb, sill, or outside mounting surface. When the blind is fully lowered, the holes in the hold-down brackets must align with the pins in the bottom rail end caps. Insert the pins into the holes in the hold-down brackets.

How to Operate

To Tilt Slats

Rotate wand to desired slat angle. Prior to raising or lowering, the slats should be tilted to the open position.

To Raise and Lower the Blind



To raise the blind, grasp the bottom rail near the center, pressing the center button with your thumb and lift while balancing the bottom rail with your other hand. Allow the slats to stack evenly. Hold the rail still at the desired position and release the button. To lower the blind, press the center button with your thumb and hold it as you pull the bottom rail down to the desired height. Once the blind reaches the preferred position, release the button.

Note: When raising inside mounted blinds, pull the bottom rail slightly towards you before pressing the button and raising the bottom rail. Once the desired height is reached, hold the bottom rail in place, release the button and place the blind back into the window opening.

Note: When completely lowering inside mounted blinds, pull the bottom rail down and slightly toward you, approximately 1" beyond the sill. Release the button, then lift and place the bottom rail up onto the sill.

INSTALLATION INSTRUCTIONS

Cleaning Instructions

Dusting: Dust your blinds regularly. Use an ordinary, soft, clean cloth, chemically treated dust cloth, dusting mitt or cylindrical dust brushes especially designed for blinds. Lower the blind to its full length, tilt the slats almost fully closed and dust then dust the reverse side of the slats in the same manner. In order to reach the dust where slats overlap, it is best not to fully close the blind in either position.

Vacuuming: To use your vacuum for cleaning your blinds, use the brush attachment provided with your vacuum. Use the same procedure as mentioned above.

Forced Air: Blow away dirt and debris using clean compressed air.

Important Note: Ultrasonic cleaning is NOT recommended for aluminum blinds.